

LEVER BLOCK(LB-90A) type

Available from 0.25Ton to 6Ton capacity

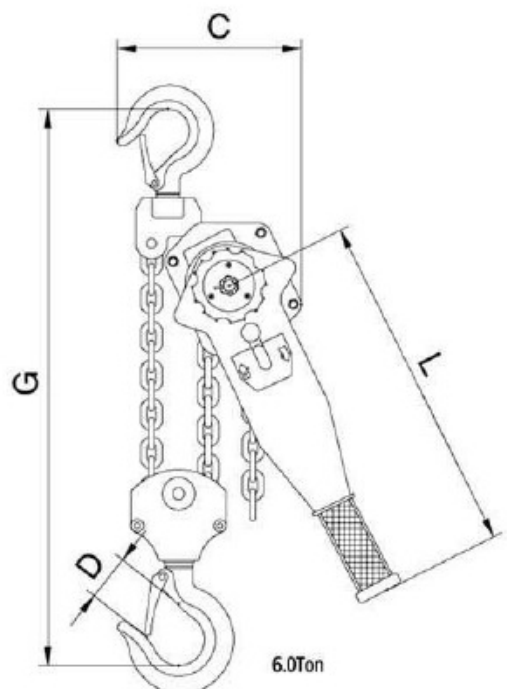
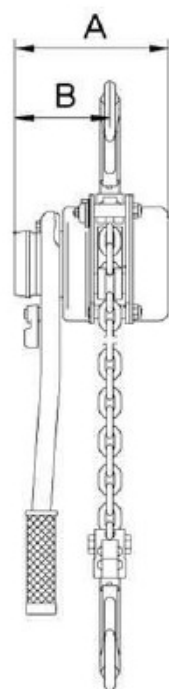
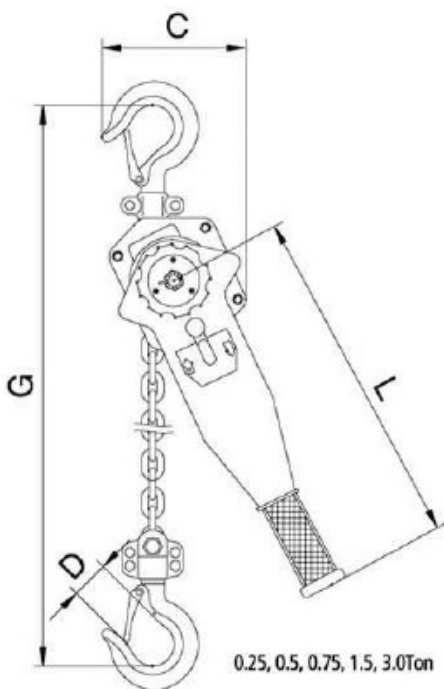


LEVER BLOCK type

- High efficiency and easy operation by high reduction ratio
- Easy chain control by automatic brake
- KD manufactured load chain

I DIMENSION

Model	LB-90A					
Capacity (ton)	0.25	0.5	0.75	1.5	3.0	6.0
Standard Lift (m)	1.0	1.5	1.5	1.5	1.5	1.5
Test Load (ton)	0.38	0.75	1.13	2.25	4.5	7.5
Pulling Effort (kg)	25	34	14	22	32	34
Load chain (Φ × falls)	4 × 1	5 × 1	6 × 1	8 × 1	10 × 1	10 × 2
Dimension (mm)	A	92	105	145	175	203
	B	72	78	86	100	118
	C	85	80	122	130	150
	D	25	30	37	45	50
	G	230	260	325	380	480
	L	160	300	280	410	410
Net Weight (kg)	1.8	4.0	7.5	11.5	21	31.5
Extra Weight 1m Lift (kg)	0.4	0.5	0.8	1.4	2.2	4.4



• The design, material and specification are subject to change for improvement without notice.
 • A special specification is available upon request.
 • 극동호이스트(주) 제품의 규격은 품질개선을 위하여 예고없이 변경될 수 있으므로 제품 구입시 문의바랍니다.